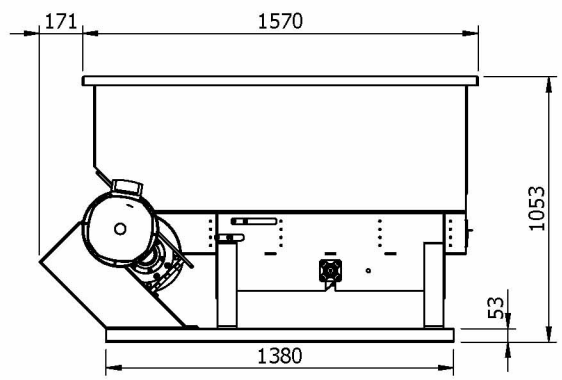
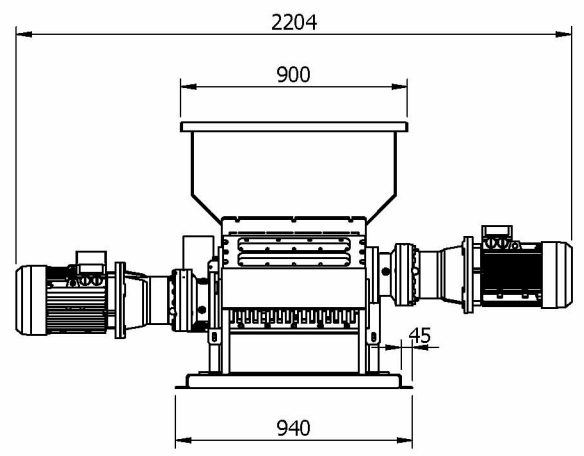
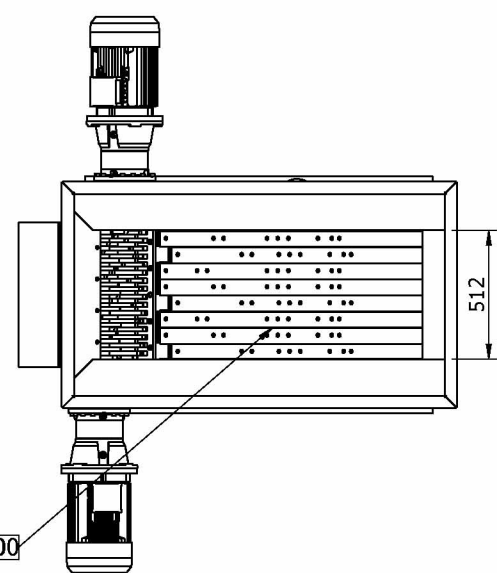
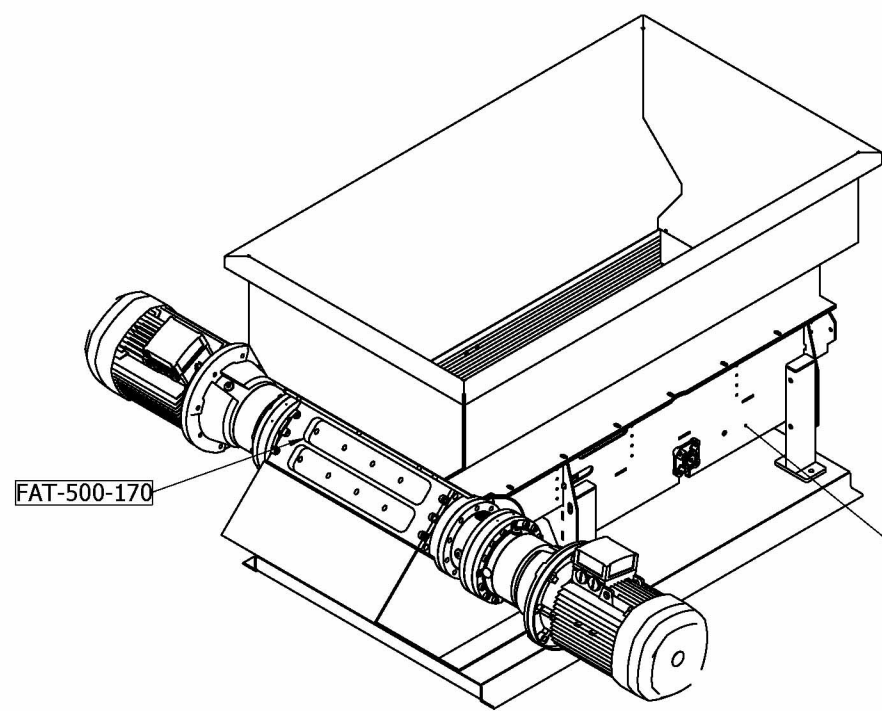


A



B

C



D

Projection : 3rd Angle		Title : FATS0 500 FACTORY		QTY : 1 set		Last Saved 5/20/2015	
To AS1100		Units: mm		Material :		Treatment :	
Tolerances : (Unless Otherwise Specified)		Linear : ± 0.1		Thick. : mm.		ISSUE FOR: AXO ASSEMBY	
Angular : ± 0.5°		Mat. Size :		Scale : 1:30		SHEET 2 OF 2	
Design Project :		Thitiwuth		3/17/2015		Rev. Date. Description Approved	
Checked By :		G.CORRIGAN		5/20/2015		Drawing No. Revision	
Author :		G.CORRIGAN		5/20/2015		FAT-LF-500	
THE INFORMATION CONTAINED IN THIS DRAWING IS THE SOLE PROPERTY OF AXO SHREDDERS. ANY REPRODUCTION IN PART OR AS A WHOLE WITHOUT THE WRITTEN PERMISSION OF AXO SHREDDERS IS PROHIBITED.		AXO A SHRED-TECH COMPANY		Weight :			