

A

B

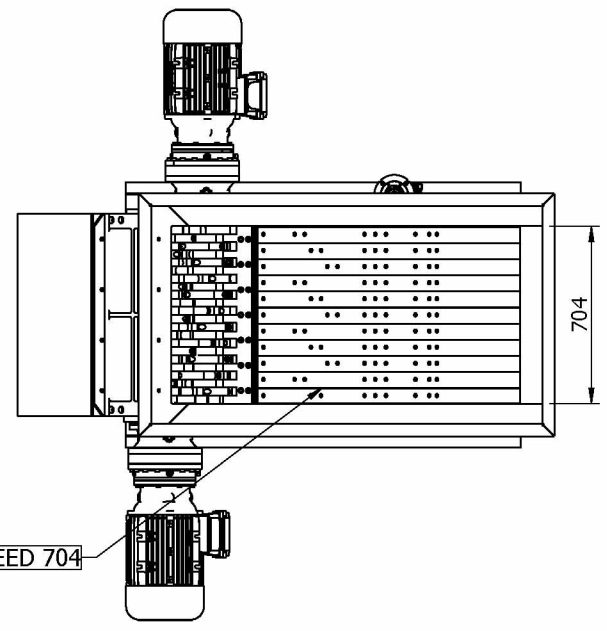
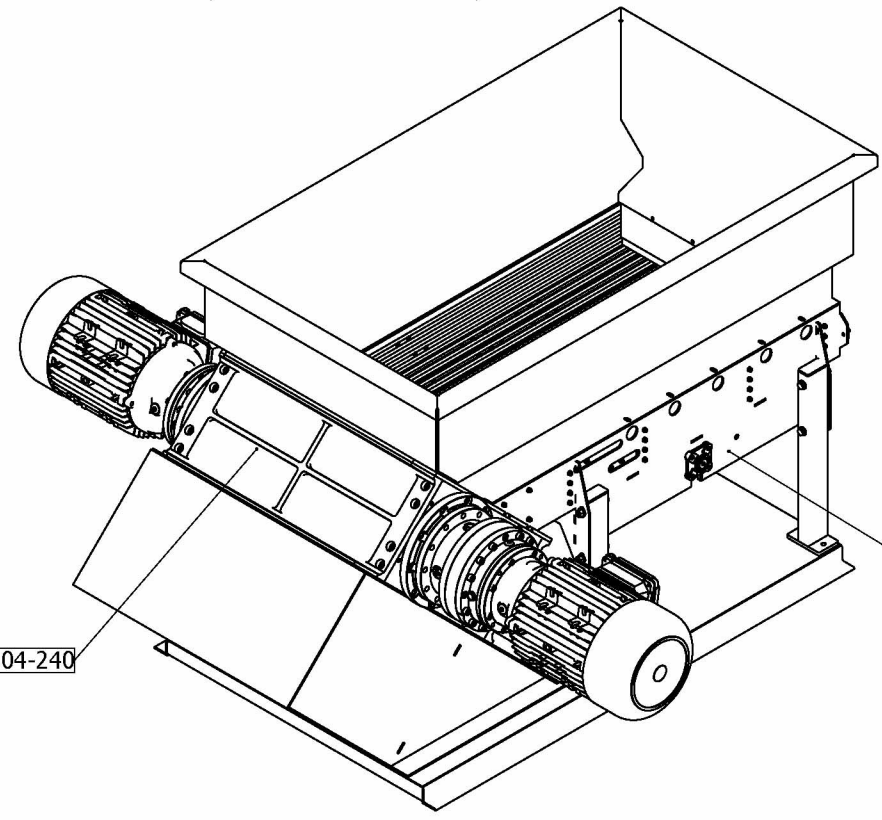
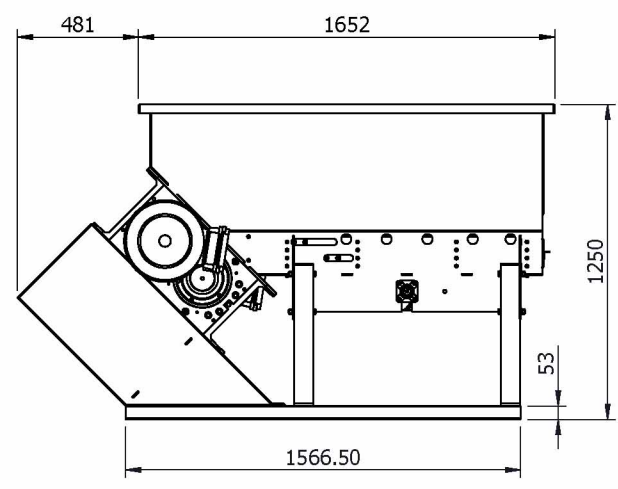
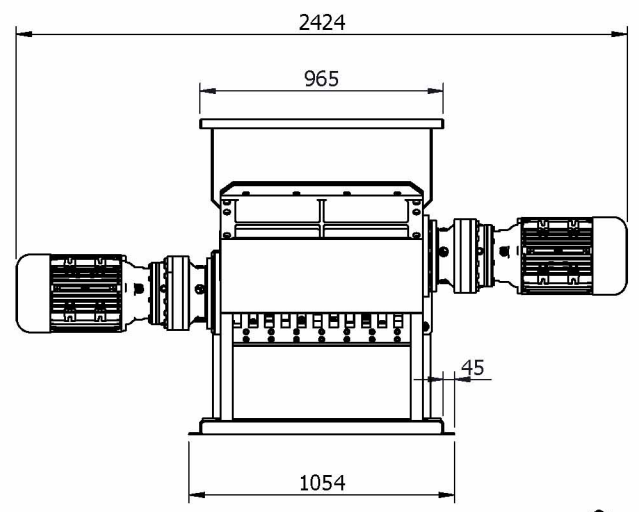
C

D

A

B

C



Projection :	3rd Angle	Title :	FATSO 704 FACTORY		QTY :	1 set	Last Saved	5/20/2015
To AS1100	Units: mm	Material :	-		Treatment :			
Tolerances :	(Unless Otherwise Specified)	Thick. :	mm.		ISSUE FOR:	AXO ASSEMBY		
Linear :	± 0.1	Mat. Size :			Scale :	1:30	SHEET 1 OF 1	
Angular :	± 0.5°	Author :	G.CORRIGAN	3/9/2015	Rev.	Date.	Description	Approved
Design Project :		Checked By :		5/20/2015				Drawing No.
Drawn By :	Thitiwuth	Author :	G.CORRIGAN	5/20/2015				FAT-LF-704
THE INFORMATION CONTAINED IN THIS DRAWING IS THE SOLE PROPERTY OF AXO SHREDDERS. ANY REPRODUCTION IN PART OR AS A WHOLE WITHOUT THE WRITTEN PERMISSION OF AXO SHREDDERS IS PROHIBITED.								